



MOKO SMART

# Stay Durable, Track Accurately

## M13 Industrial Tag



M13 is a BLE asset tracking tag boasting an impressive lifespan of up to 8 years. Its high level of waterproof and shock resistance make it robust enough to face any harsh environment. Moreover, our M13 supports buzzer alarm and optional pick-to-light function, enabling it to highlight the asset location easily and clearly. Easy sticker or screw installation make it effortlessly adaptable to multiple application scenarios like warehouses, construction sites, factories and more.

### Various Installation Methods

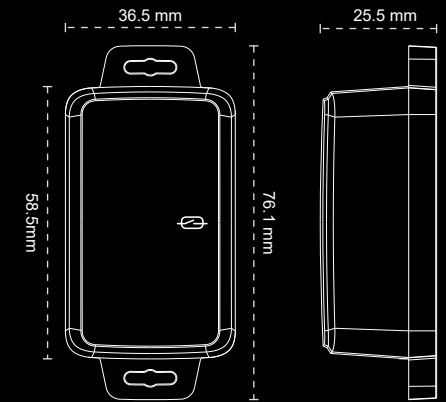


### Optional pick to light function



### General Specs

Connectivity:	BLE5.0
Dimensions (mm):	76.1*36.5*25.5
Color:	Black
Sensor:	Accelerometer sensor; Temperature sensor (optional)
Buzzer:	Supported
RFID:	Supported
LED:	Red
IP rating:	IP67
Shock resistance:	IK06
Battery:	2600mAh
Operating temperature:	-20°C/60°C
Transmission range:	Up to 150m (492 feet) in open space
Installation:	3M tape   Screws   Magnetic mounting



### Features



IP67 waterproof



IK06 shock resistance



Supports buzzer alarm



Durable 8-year lifespan

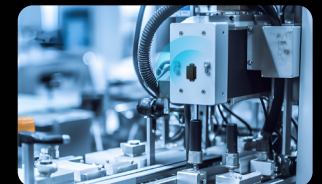
### Application



Warehouse



Construction



Factory