



MOKO SMART

# LW009-SM PRO

Wireless Surface-Mounting Vehicle Detector



Compact size



IP68 waterproof



Support BLE scan



Microwave radar & geomagnetic detection



99%+ detection precision



5 years lifespan

## LoRaWAN Sensor

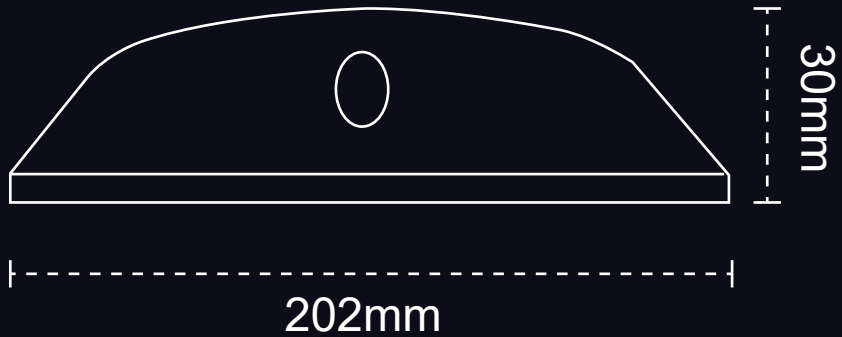
Convergent Technologies  
Intelligent Parking

The LW009-SM PRO skillfully blends microwave radar and geomagnetic detection technologies, showcasing a seamless integration. It employs an advanced signal detection algorithm to accurately monitor parking space occupancy, ensuring a high level of precision. In this way, the LW009-SM Pro offers real-time parking detection capabilities, facilitating the realization of intelligent parking management.



# LW009-SM PRO

LoRaWAN Sensor



## Application Scenarios



Outdoor Parking Lot



On-street Parking Space

Categories	Parameter	Value
LoRa Wireless Specification	LoRa Protocol	LoRaWAN V1.0.3
	Lora Frequency	EU868/AU915/US915/AS923/IN865/KR920/RU864/AS923-1/AS923-2/AS923-3/AS923-4
	Tx Power	Max 21dBm
	Sensitivity	-137dBm@SF12
	LoRa Communication Distance	Up to 7 km (in urban open space)
BLE Wireless Specification	Bluetooth® (BLE)	4.2
	TX Power	Max 4 dBm
	Detection Accuracy	>99%
	Detection Algorithm	Dual mode -Three-axis joint detection algorithm and Radar
	Installation	Surface-Mounting Type
Performance Specification	State Monitor	Low voltage alarm, hardware error alarm, Strong magnetic disturbance alarm.
	Power Supply	Built-in 3.6V Lithium battery, 20Ah
	Bluetooth switch	Magnetic trigger
	Life Duration	5 years (under typical scenarios*)
	Power Consumption	IP Rating
Dimension		Φ: 202mm, H: 30mm
Weight		600g
Force Resistance		10 tons
Application Specification	Operation Temperature	-40°C ~ 85°C
	Operation Humidity	10%~90%

\*Typical scenario means the device report information every 12 hours, there are 5 times for vehicles come in and go out to a parking space a day.