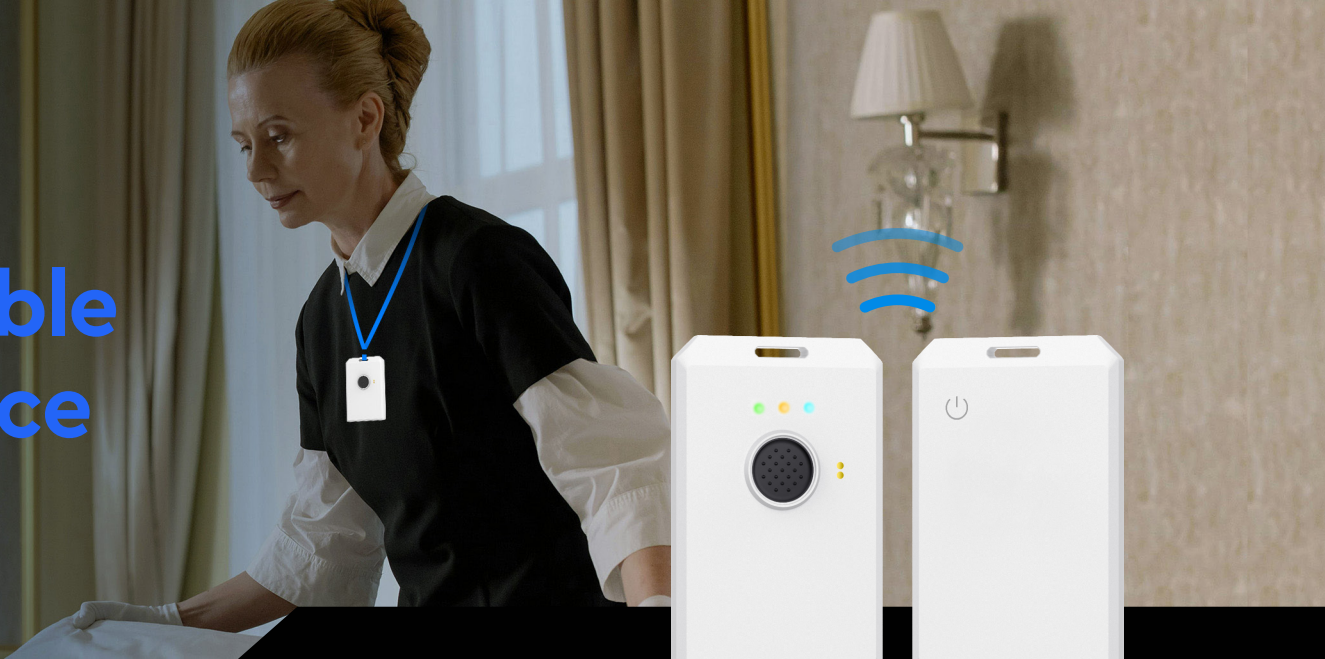




MOKO SMART

# Safe and Rechargeable Your Trusty Assurance

## B5 Rechargeable Badge



The B5 Rechargeable Badge is a portable Bluetooth LE badge featuring a dual-button design and magnetic charging capability. It is compatible with the Bluetooth® 5.0 standard and allows users to send various SOS alerts to gateway nodes or central controls by simply pressing the SOS button.

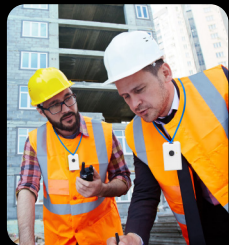
Additionally, it features RFID functionality for access control and attendance management, as well as a vibration motor. Due to these advanced features, the B5 Rechargeable Badge can be widely utilized in hotels, schools, hospitals, and beyond.

### Application



#### Healthcare

- Duress calling
- Restriction access
- Location awareness



#### Construction

- Detect near-misses
- Geo-fence alerts
- Instant SOS aler



#### Smart Office

- Visitor flow management
- Access control



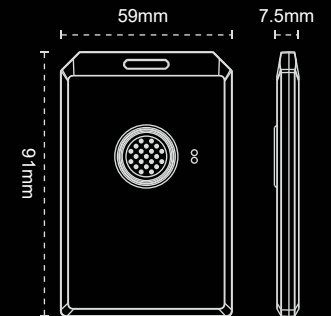
#### Hotel

- Duress alerts to precise location of situation
- Attendance Management
- Real-time notifications

### General Specs

Connectivity:	BLE 5.0
Dimensions(mm):	91.0*59.0*7.5
Weight:	32g
Color:	Body: white, Button: black (button color can be customized)
Material:	PC+TPU
IP rating:	IP66
RFID/NFC:	HF   LF/UHF (customizable)
LED:	3*monochromatic LED (red, green, blue)
Sensor:	Accelerometer   Buzzer(85dB)   Vibration motor
Battery capacity:	350mAh   rechargeable
Battery lifespan:	Advertising mode*: 15 months (default setting) Long connection mode*: 14 months
Charging time:	Approximate 3h (under 25°C conditions)

Operating temperature:	-20°C ~ +60°C
Transmission range:	Up to 150m (without any obstacles)
Installation:	Lanyard
Certification:	FCC   CE   RoHS   REACH



Advertising mode\*: The lifetime estimated based on advertising mode and broadcasting in a non-connected state under 25°C conditions.  
(0dBm Tx Power | 1000ms ADV interval | Continuous broadcast)

Long connection mode\*: The lifetime estimated based on the smartphone/gateway maintains a long connection with the B5 under 25°C conditions.



IP66 Waterproof



Easy magnetic charging



Instant SOS alerts



Multi-functional dual button



Buzzer notification



Vibration motor notification



Alarm event record



Built-in RFID